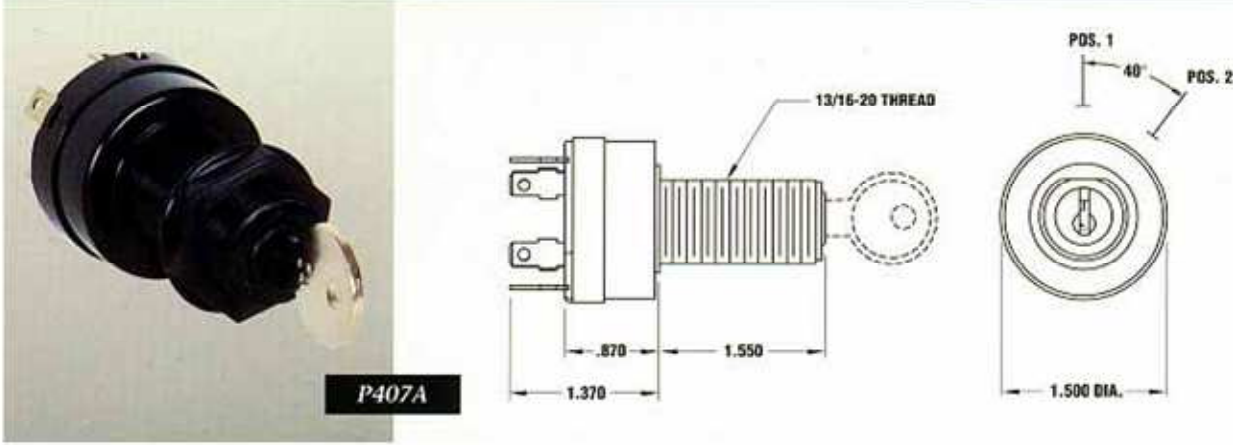


2 Position Marine Key Switches (Milled Keys)

2 Position Marine Key Switches (Milled Keys)



Part Number	Switch Type	Bushing Type:		Terminal Type	Connector Type PE #	Circuits Made:		Notes
		Thread	Length			Pos. 1	Pos. 2	
402A Series	Bat.Ing.	13/16-20	1.55"	LUG(1) PE(1)	LUG(8-32) PE 56	None	1+2	1,2
H402A Series	Bat.Ing.	13/16-20	1.55"	LUG(2)	LUG(8-32)	None	1+2	1,2
P402A Series	Bat.Ing.	13/16-20	1.55"	PE(2)	PE 56	None	1+2	1,2
P405A Series	Magneto	13/16-20	1.55"	PE(2)	PE 56	M1+M2	None	1,2
407A Series	Magneto	13/16-20	1.55"	LUG(4)	LUG(8-32)	M1+M2	1+2	1,2
P407A Series	Magneto	13/16-20	1.55"	PE(4)	PE 56	M1+M2	1+2	1,2

Notes: 1. Multiple key configurations available.

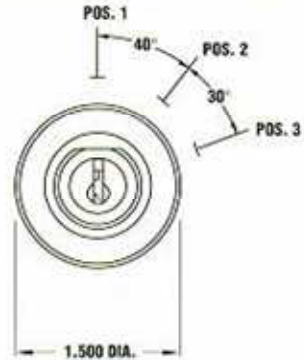
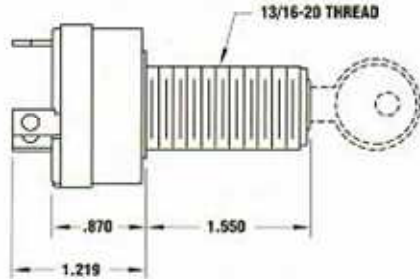
2. Drain holes in two places.

3 Position Marine Key Switches (Milled Keys)

3 Position Marine Key Switches (Milled Keys)



H403A



Part Number	Switch Type	Bushing Type:		Terminal Type	Connector Type PE #	Circuits Made:			Notes
		Thread	Length			Pos. 1	Pos. 2	Pos. 3	
403A Series	Bat.Ing.	13/16-20	1.55"	LUG(1) PE(2)	LUG(8-32) PE 56	None	B+I	B+I+S	1,2
H403A Series	Bat.Ing.	13/16-20	1.55"	LUG(3)	LUG(8-32)	None	B+I	B+I+S	1,2
P403A Series	Bat.Ing.	13/16-20	1.55"	PE(3)	PE 56	None	B+I	B+I+S	1,2
W403A Series	Magneto	13/16-20	1.55"	LUG(2) PE(2)	LUG(8-32) PE 56	M1+M2	None	B+S	1,2
408A Series	Magneto	13/16-20	1.55"	LUG(5)	LUG(8-32)	M1+M2	B+A	B+A+S	1,2
P408A Series	Magneto	13/16-20	1.55"	PE(5)	PE 56	M1+M2	B+A	B+A+S	1,2

Notes: 1. Multiple key configurations available.

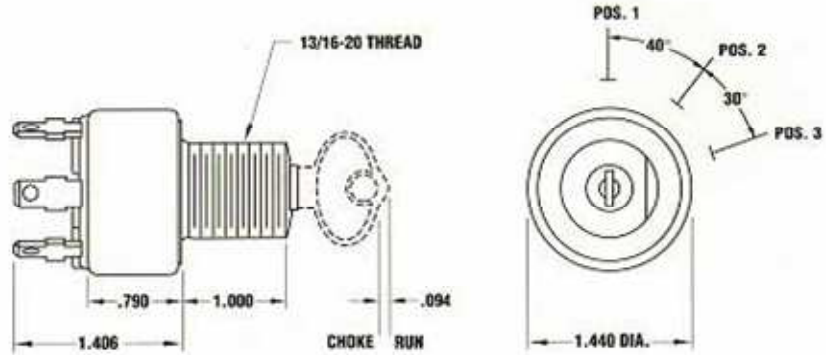
2. Drain holes in two places.

3 Position, Push-to-Choke, Marine Key Switches (Milled Keys)

3 Position, Push-to-Choke Marine Key Switches (Milled Keys)



H400A



Part Number	Switch Type	Bushing Type:		Terminal Type	Connector Type PE #	Circuits Made:			Notes
		Thread	Length			Pos. 1	Pos. 2	Pos. 3	
H400A Series	Magneto	13/16-20	1.00"	PE(6)	PE 56	M1+M2	B+I	B+I+S	1,2,3
401A Series	Magneto	13/16-20	2.00"	LUG(6)	LUG(8-32)	M1+M2	B+I	B+I+S	1,2,3

- Notes:
1. Multiple key configurations available.
 2. Drain holes in four places.
 3. Push-to-Choke in position "2" and position "3".