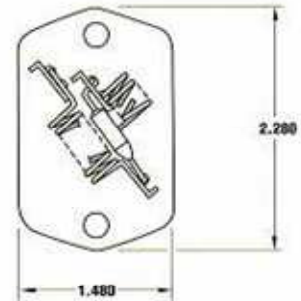
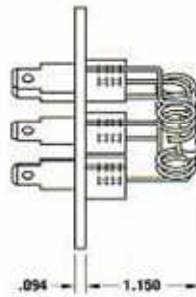
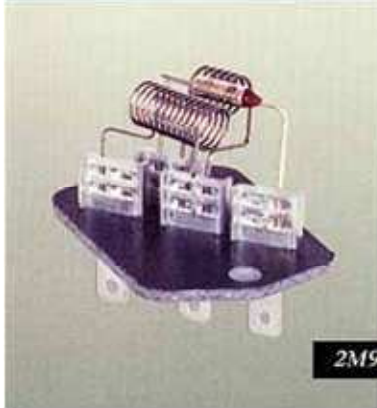


923 Series Resistors

Resistors



Part Number	Terminal Type	Connector Type PE #	Resistance Between Terminals (TCO= Terminal Cut out)		
			M-H (1.5 ohm)	L-H (2.5 ohm)	
2H923A	PE(3)	PE 56	M-H (1.5 ohm)	L-H (2.5 ohm)	
2K923A	PE(3)	2973386	1-3 (0.5 ohm)	2-1 (1.5 ohm)	
2L923A	PE(4)	2965019	3-1 (0.35 ohm)	4-3 (1.2 ohm)	1-Jumper-2
2M923A	PE(4)	2965019	3-1 (0.35 ohm)	4-3 (1.2 ohm)	1-TCO-2