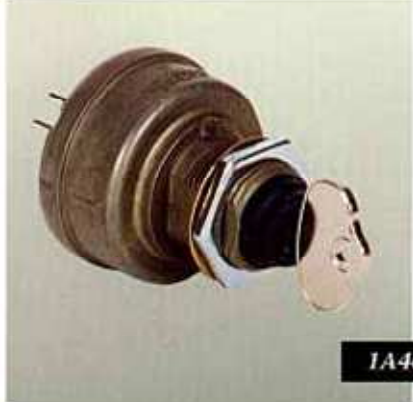
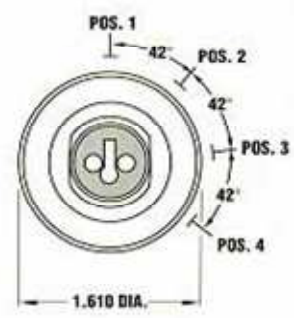
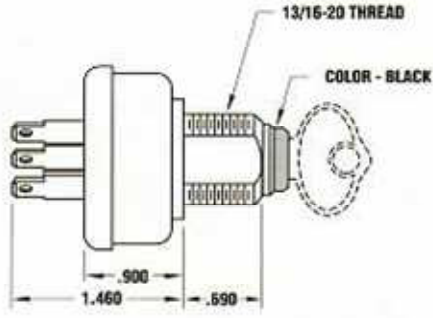


4 Position Key Switches (Milled Keys)

4 Position Key Switches (Milled Keys)



1A464A



Part Number	Switch Type	Bushing Type:		Terminal Type	Connector Type PE #	Circuits Made:				Notes
		Thread	Length			Pos. 1	Pos. 2	Pos. 3	Pos. 4	
F464A	Bat. Ign.	13/16-20	.690"	LUG(4)	LUG(8-32)	B+SO	None	B+I	B+I+S	1,3,4
P464A	Magneto	13/16-20	.690"	PE(7)	2962960 & 2962448	G+M+L	B+L/A+Y	None	B+S	1,2
Y464A	Bat. Ign.	13/16-20	.690"	LUG(4)	LUG(8-32 & 10-32)	B+A	None	B+I+A	B+I+S	1
1A464A	Magneto	13/16-20	.690"	PE(5)	2973422	G+M	B+L	None	B+S	1,2

Notes: 1. Spring return from position "4" to position "3".

3. Terminals are brass with tin plating

2. Switch has a rubber boot which extends beyond bushing thread. 4. Spring return from position "1" to position "2".